

TEXNH
INOX

Glas & Fence



The company **INOX** opened its gates in the anodised aluminum systems with glass panes.

Their combination is a key element in the creation of a glass jar and these are materials with unlimited possibilities and multiple uses.

They are suitable for modern hotel, residential and office buildings.

The glass railings are a modern trend in architectural design and the unique solution for verandas and balconies overlooking without annoying intermediate pillars.

They are durable, safe, vary in the way they are installed and provide the perfect aesthetic result with your safety always as a rule issue.

Glass railings with point support

Special stainless spacers of anodized aluminum profiles that hold the glass panels give an impressive result.

The design and construction of architectural projects is constantly evolving and accommodating modern lines, comfort and endurance.

The correct choice and positioning of the glass pane ensures maximum safety in the construction.

All the materials we use are certified and strictly meet specifications.

Advantages

Unobstructed view

Upgrade space

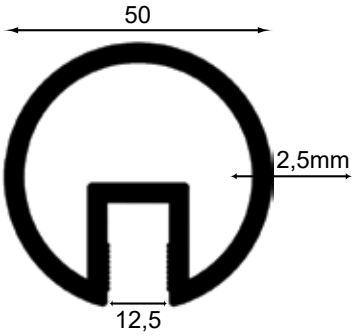
Absolute security

No maintenance

Ease of cleaning

Excellent aesthetic result

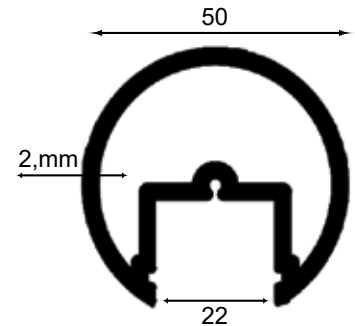
3844



Hand Rail F50

Weight: 1,350 kg/m

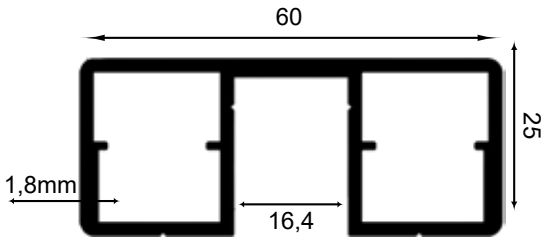
3844 A



Hand Rail F50

Weight: 1,080 kg/m

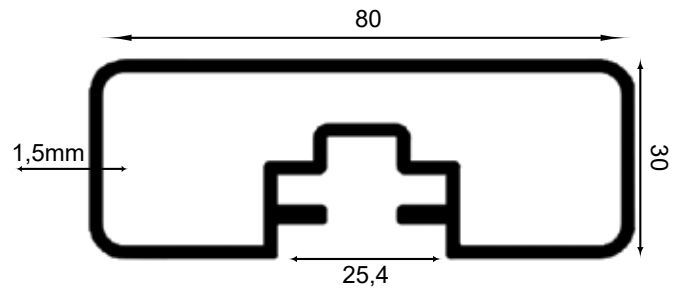
6025 GL



Hand Rail 60 x 25

Weight: 1,040 kg/m

3080 GL



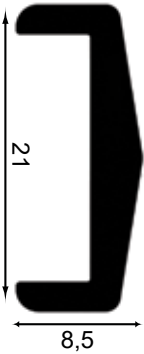
Hand Rail 80 x 30

Weight: 1,120 kg/m



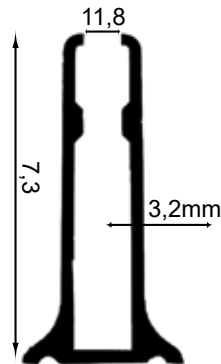
Glass Support

3845



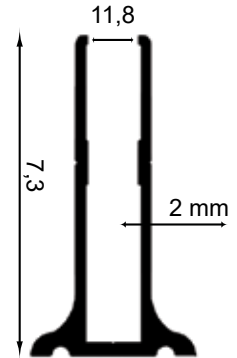
Thin Hand rail

3827



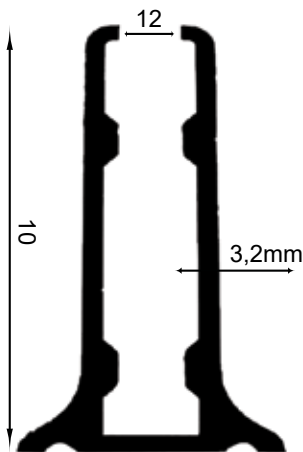
Glass Base
7,3cm -10mm
Weight: 2,050 kg/m

3827 L



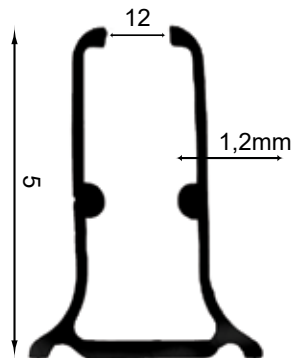
Glass Base
7,3cm -10mm Light
Weight: 1,350 kg/m

3828



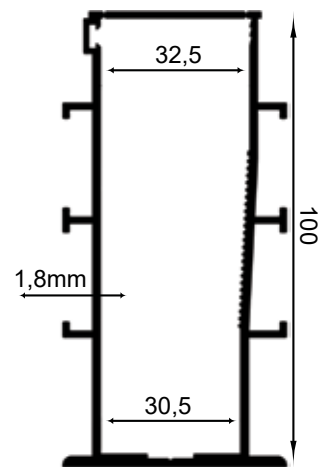
Glass Base 10cm -10mm
Weight: 2,720 kg/m

3827 A



Glass Base 5cm -10mm
Weight: 0,750 kg/m

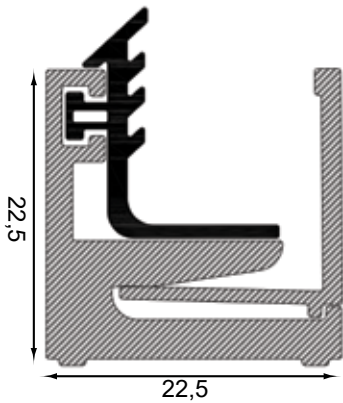
3832



Flooring Base

Inflooring glass pane support system with a single aluminum base is suitable for 16mm thick glass panes up to 20mm thick. The aesthetic result is glass panes planted in the floor. The height of the glass panes could be up to 1,20 m above the floor. It is worldwide copyright reserved

2425 - 1
2425 - 2

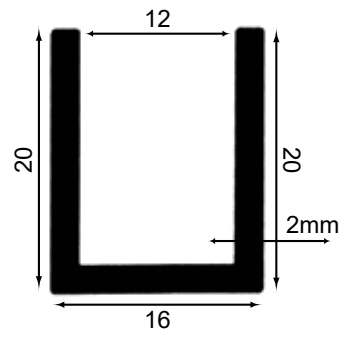


Shower Cabin Profile



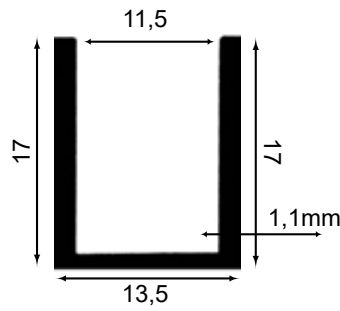
Details

1010



Glass Frame 20 x 12 x 20

1010 L

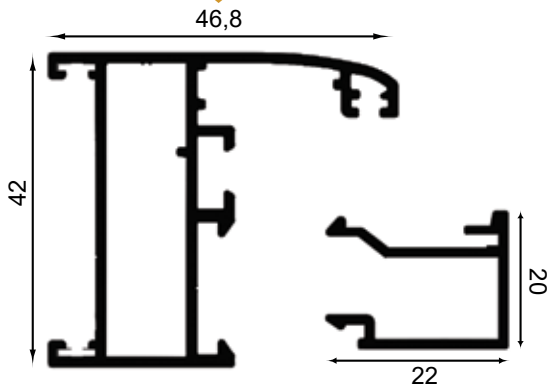


Glass Frame 17 x 11,5 x 17



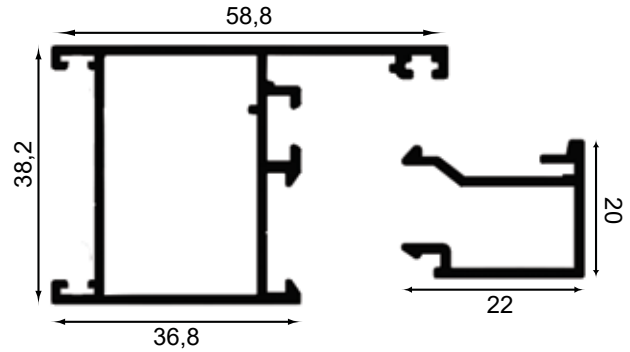
glass support

4201



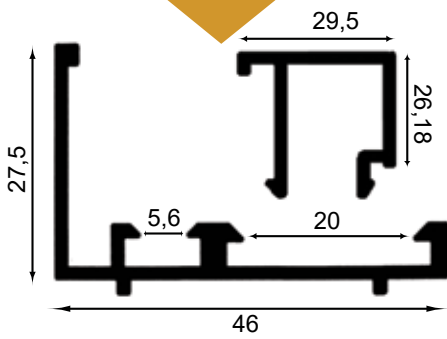
Shop Front Profile With Tube

4207



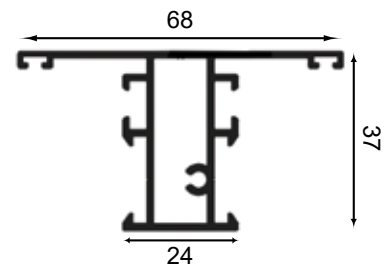
Shop Front Profile With Tube

4050



Shop Front Profile

4221

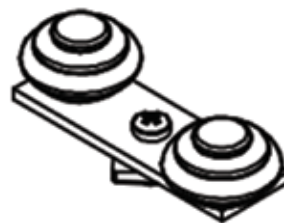
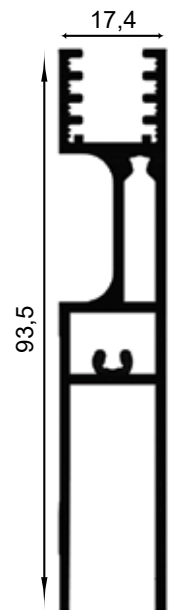
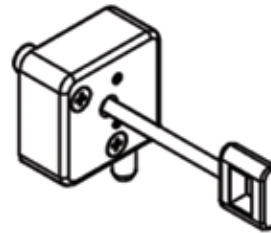
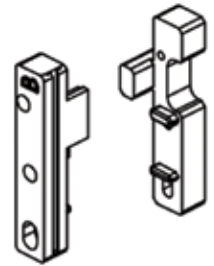
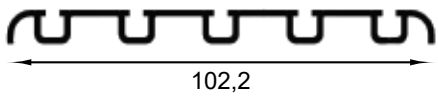
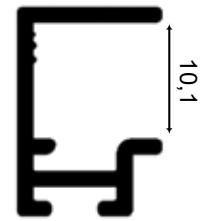
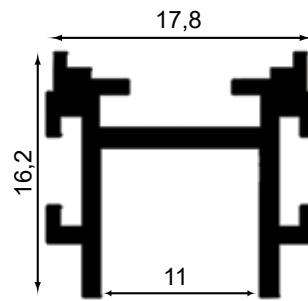
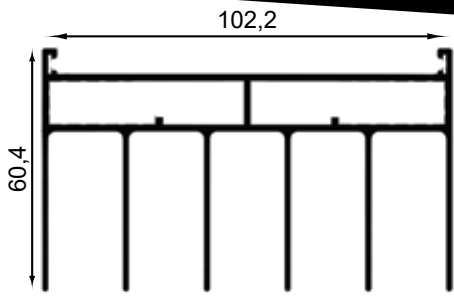


Shop Front T Profile



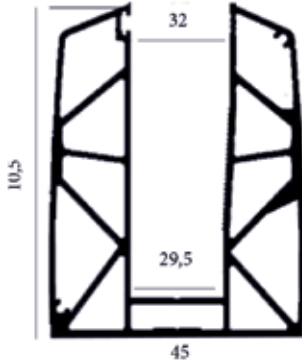
Sliding glass systems

Z500



glass support

3829 C

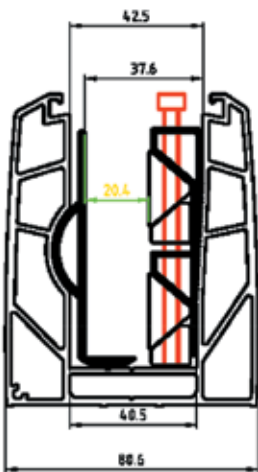


Balustrade Base



The fixed glass pane with a single aluminum base, suitable for 16mm thick glass panes, combines high quality with perfect aesthetics and easy fitting. It is worldwide copyright reserved. The relevant tests for resistance with a height of 1.10 meters have been made.

3829 AD



Adjusting Balustrade Base

Our new adjustable glass pane support system with a single aluminum base is suitable for 16mm thick glass panes and combines high quality with perfect aesthetics and easy fitting. It is worldwide copyright reserved. The relevant tests for resistance with a height of 1.10 meters have been made.

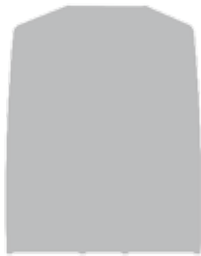


3827 T
3828 T



Metallic Cap End

3829 CT



Metallic Cap End

3014 A



Cap End For F50

3309 B
6025 T



Cap End For 30 x 80
Cap End For 25 x 60

A 518500



Stainless Glass Holder INOX

3032 B



Glass Holder

6025 B
3393



End Flange For 60 x 25
End Flange For 80 x 30

5081



Top Glass Holder F40

3023



Plastic Corner

3053 K



End Flange For F50

Fence

TEXNH

The **INOX** company, through the aluminum industry, creates innovative ideas for fencing systems aiming at both excellent configuration of your outdoor space and the best durability and safety of your uncovered property.

New aluminum fence systems ensure:

High status and contemporary view of the place.

Functional protection of the uncovered land.

Unlimited resistance to bad-weather conditions and to multi - year use.

Minimum maintenance cost.

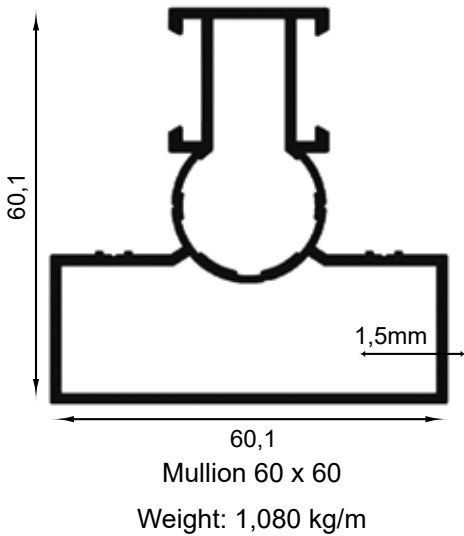
Ability to be designed and adapted to any environment.

The enclosure of your place, with the assistance of our specialized co-workers, gets the opportunity to be designed, based on your own style and geometry in order to be created a perfect project.

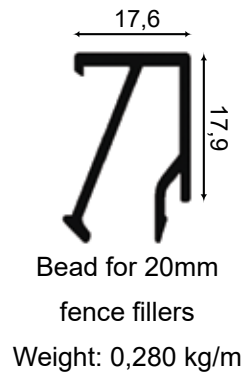
All the materials used are environmentally friendly, certified and meet the strict specifications.



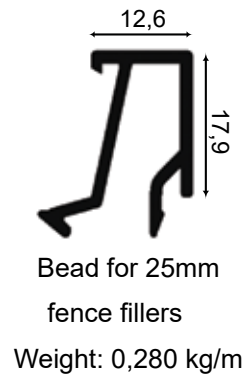
T 6060 N



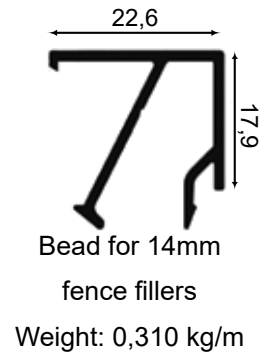
T 6060 P2



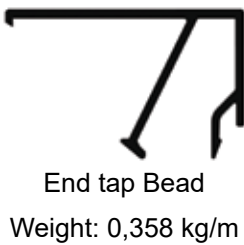
T 6060 P3



T 6060 P1



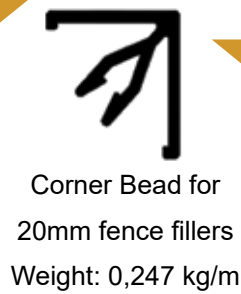
T 6060 E



**T 6060
GP1**



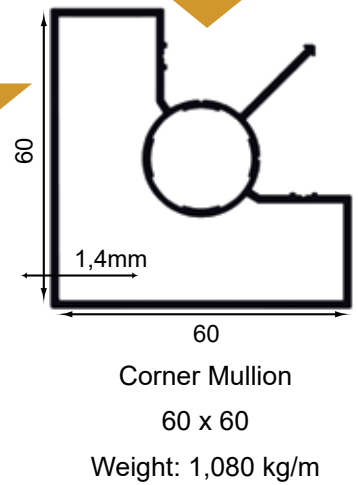
**T 6060
GP2**



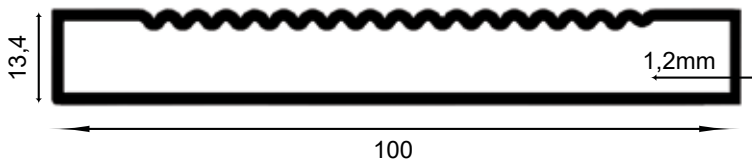
**T 6060
GP3**



T 6060 G



Fence

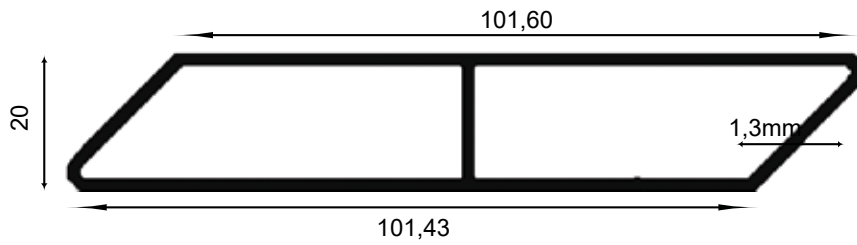
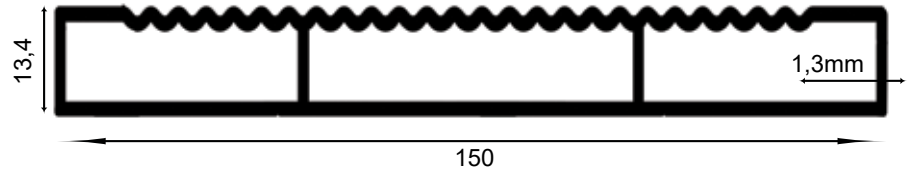


8006 AB

Fence Fillers 100mm
Weight: 0,680 kg/m

8015 AB

Fence Fillers 150mm
Weight: 1,100 kg/m

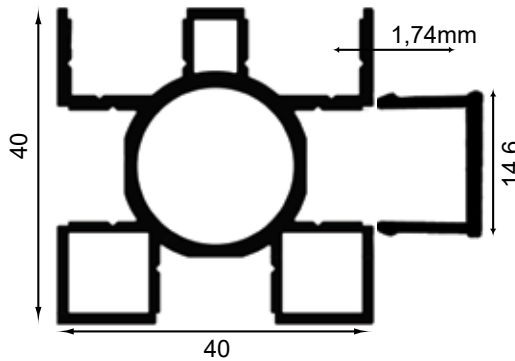


8016 A

Fence Fillers 200mm
Weight: 0,970 kg/m

8005

Mullion 40 x 40
Weight: 0,975 kg/m



8005 A

Bead Fence Fillers
Weight: 0,08 kg/m



3302 B



40 x 40 Square Stud Flange

6060 R



60 x 60 Square Stud Flange

3302 B
NEW



40 x 40 Square Stud Flange

6060 T



60 x 60 Square Wall Cap

3313 A



40 x 40 Square Wall Cap

3070 C



Support Level 40 x 40

3070



Steel Anchor Bar 25cm

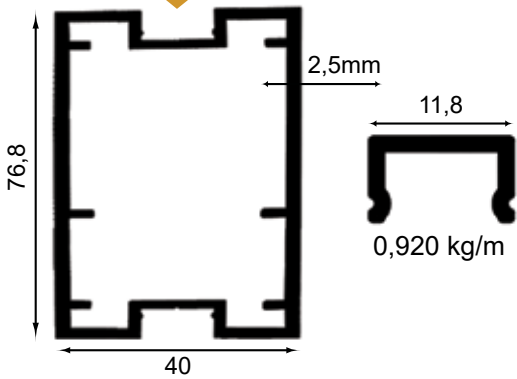
3070 M



Steel Anchor Bar 45cm

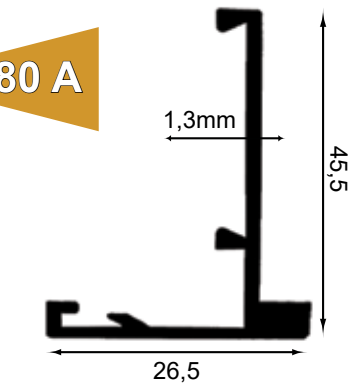
Door

4080



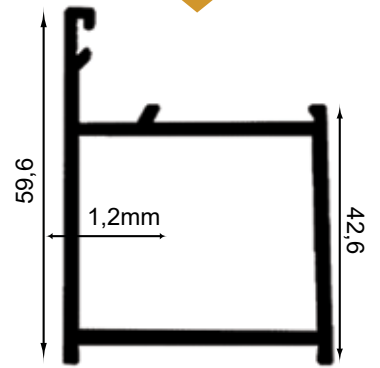
Door Sash 80 x 40
Weight: 1,515 kg/m

4070



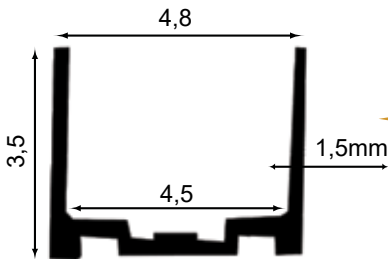
Central Adaptor For Opening
Weight: 0,400 kg/m

4090



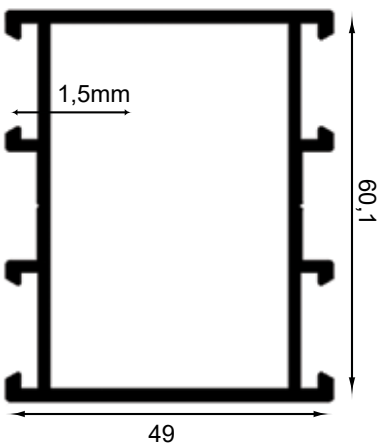
Casement
Weight: 1,010 kg/m

4550



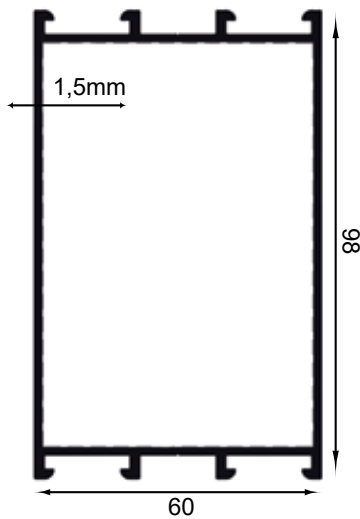
Central Adaptor For Sliding
Weight: 0,700 kg/m

C 6050



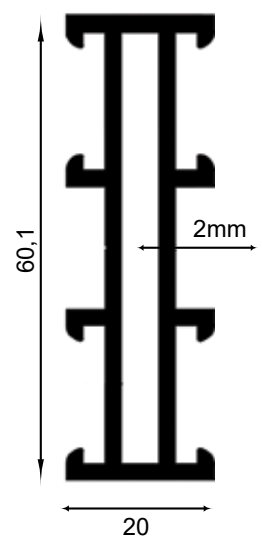
Door Sash 60 x 50
Weight: 1,088 gr/m

C 10060



Door Sash 60 x 100
Weight: 1,475 kg/m

C 6020



Door Partition
Weight: 1,009 gr/m

C 60228



Bead for 14mm
Weight: 0,314 kg/m

C 60236



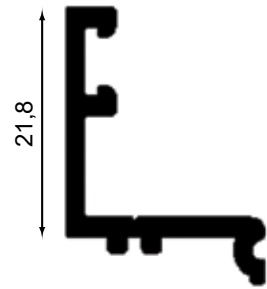
Bead for 25mm
Weight: 0,277 kg/m

C 60190

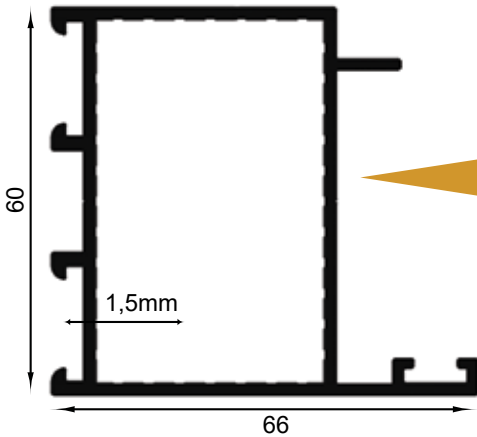


Bead for 20mm
Weight: 0,294 kg/m

C 6045



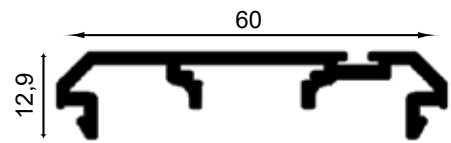
19,4
Bead
Weight: 0,209 kg/m



60
1,5mm
66
Casement
Weight: 1,120 kg/m

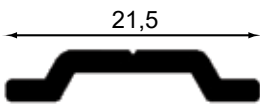
C 6011

C 60052



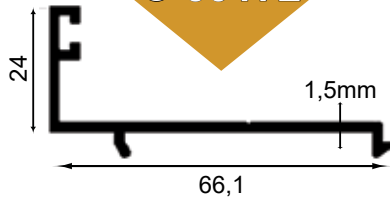
60
12,9
Tap End Bead
Weight: 0,450 kg/m

C60 AL12



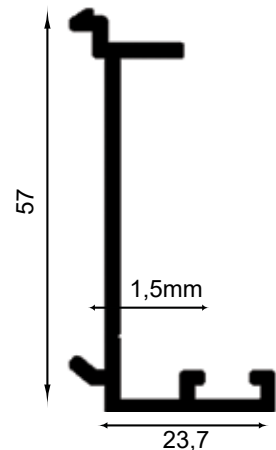
21,5
Locking Rod
Weight: 0,118 kg/m

C 60172



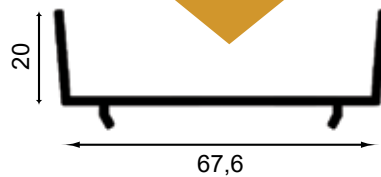
24
1,5mm
66,1
Central Adaptor For Opening
Weight: 0,434 kg/m

C 60171



57
1,5mm
23,7
Central Adaptor For Opening
Weight: 0,467 kg/m

C 60051



20
67,6
Central Adaptor For Sliding
Weight: 0,455 kg/m



L.Filis 76, Ano Liosia 13341
T: 210.2487.295 F: 211.4076.819
www.texni-inox.gr / e-mail: texni-in@otenet.gr